

HDI Series

Non-Fusible Motor Disconnect Switches

20 - 200 Amp; NEMA 4X; 12



ORDERING INFORMATION

RATED CURRENT 600V MAX.	HP RATINGS			CATALOG NO. (WITH AUX. CONTACTS)	INSTALLED SELECTOR SWITCH OPTIONS
	3Ø240V	3Ø480V	3Ø600V		
STANDARD ENCLOSURE					
25A	3	5	5	ME 20MS1A-M2	ME 20MS4A-M2PSX
30A	7.5	15	15	ME 30MS1A-M2	-
30A	5	10	10	ME 32MS1A-M2	ME 30MS4A-M2PSX
40A	10	20	20	ME 40MS1A-M2	-
LARGE ENCLOSURE					
25A	3	5	5	ME 20MS2A-M2	ME 20MS2A-M2PSX
30A	7.5	15	15	ME 30MS2A-M2	ME 30MS2A-M2PSX
40A	10	20	20	ME 40MS2A-M2	ME 40MS2A-M2PSX
80A	20	40	40	ME 80MS2A-M2	ME 80MS2A-M2PSX
100A	25	50	50	ME 100MS2A-M2	ME 100MS2A-M2PSX
125A	40	75	100	ME 125MS3A-M2	-
200A	75	150	200	ME 200MS6A-M2	-

Auxiliary Contacts - 10A@ 600Vac 1 N/O & 1 N/C

Compliances & Performance:

- "Suitable as Motor Disconnect" per 2002 NEC Article 430-109(a)(6)
- Standard 508
- to CSA 22.2 No. 14-M95
- Environmental: NEMA Type 4X; 12
- Flame Rating: UL 94-5VA and VO

- UV Resistance: Enclosure and Handle Materials are UV Stabilized
- In-House Endurance Testing: 10,000 Electrical Cycles / 100,000 Mechanical Cycles
- Minimum Short Circuit Rating per UL: 10,000 RMS Symmetrical Amperes

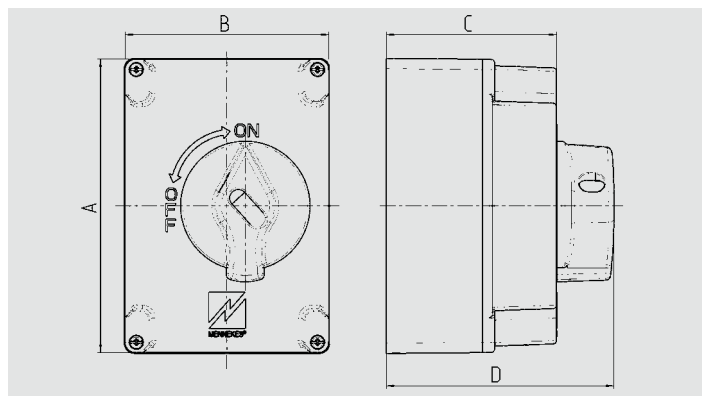
FIELD MOUNTABLE AUXILIARY CONTACT

1 N/O & 1 N/C

FOR MODELS WITH MAX. HP	CATALOG NO.
5 hp & 10 hp	ME 20AUX
15 hp & 20 hp	ME 30AUX
40 hp & 50 hp	ME 80AUX
100 hp	ME 125AUX

REPLACEMENT SWITCHES

RATINGS	CATALOG NO.
5 hp	ME 20XMS1-M2
10 hp	ME 32XMS1-M2
15 hp	ME 30XMS1-M2
20 hp	ME 40XMS1-M2
40 hp	ME 80XMS1-M2
50 hp	ME 100XMS2-M2
75 hp	ME 125XMS3-M2



Approximate Dimensions (in inches)

	STANDARD ENCLOSURE 25 - 40 AMP	LARGE ENCLOSURE 25 - 100 AMP
A	6.69	10.31
B	4.63	6.56
C	3.81	5.03
D	5.23	6.25

For 125A & 200A dimensions, consult factory.